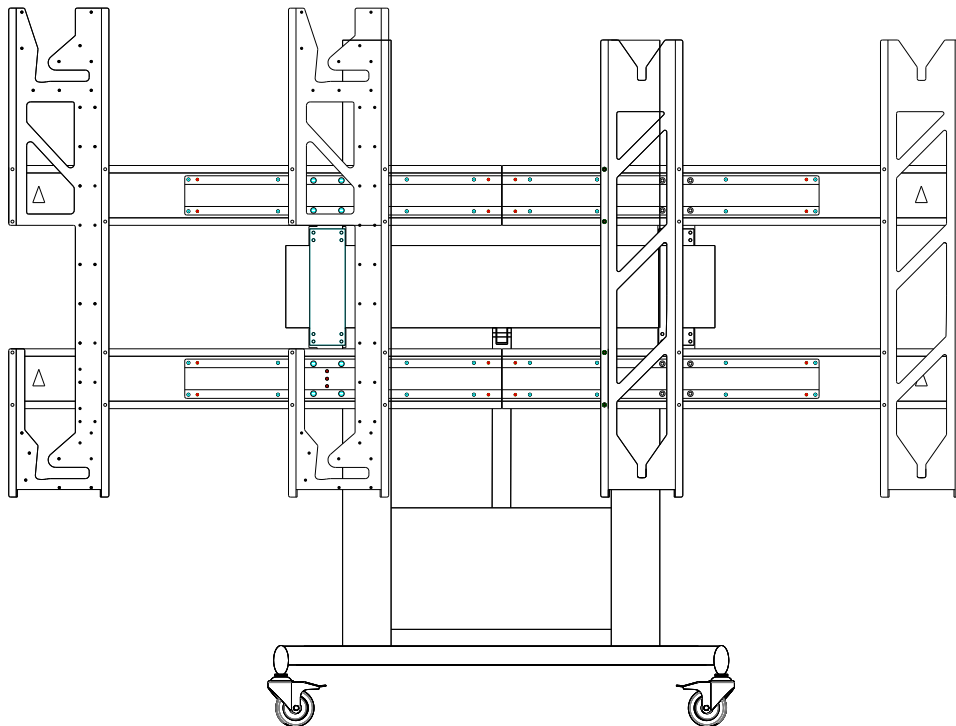


1.5625 mm Pixel Pitch with SMD LEDs

ST-1362FH

All-in-one LED Display

A modular system for Indoor applications



Installation Manual

**2021.05
Document version 1.01**

Technical Data

Type	ST-1362FH
Material	Aluminum profile,Steel
Surface Finish	Coating matte black
Recommended Screen Size	80" – 140"
Rated Weight Capacity	441lbs/ 200kg (Overall)
Max Hole Pattern	750x750x750mm-1125mm
Lift range	490mm
Voltage	100~240v
Certification	CB,CE,FCC,ETL,RoHS2.0,REACH
Stand dimension(with frame)	255.6 x 723 x 1920cm
Carton Dimension	182 x 141 x 71 cm
Weight (Gross)	75.5kg

Product Highlights

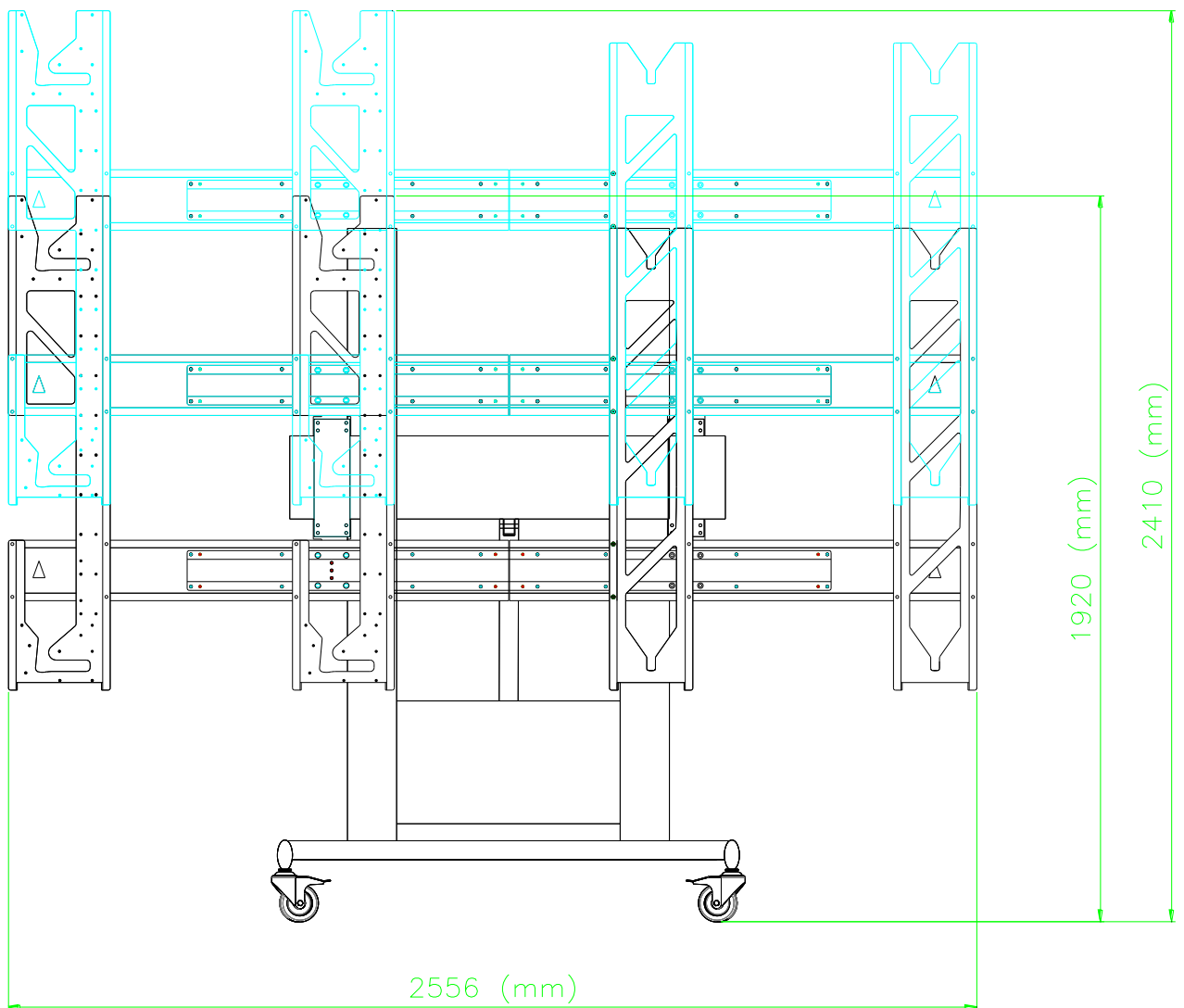
- Smooth anodized dual columns with adjustable flat-panel TV height.
- With exclusive patent technology hanging back frame.
- The safe and quiet remote control lifting function can make your TV lift 490MM at will
- High tensile strength steel and rigid aluminum alloy materials.
- Integrated cable management through columns.
- Carry maximum load 441lbs(200kgs) and up to 140" flat panel TV
- Flexible and installer-friendly.

Caution

- This stand is designed for LAEC015-GN screen. Use with other equipment may result in instability causing injury
- Manufacturer's name: Lighthouse Technologies (HuiZhou) Limited
- Model number: ST-1362FH
- Equipment name: Motor stand

Warning



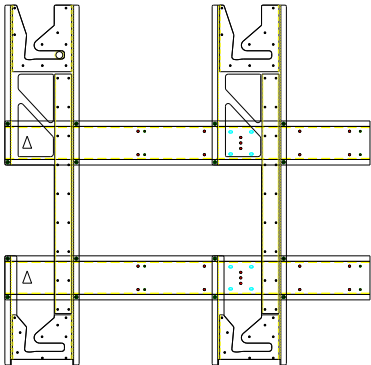
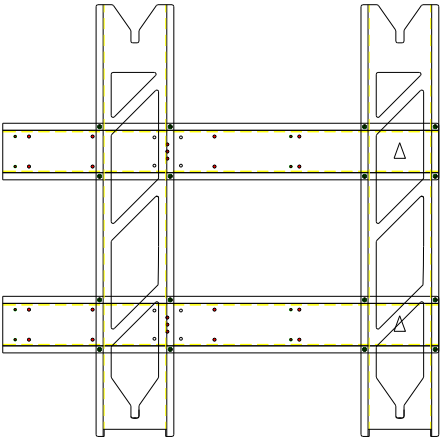
- This equipment is compliant with Class A of CISPR 32. In a residential environment this equipment may cause radio interference.









⚠ WARNING ⚡
RISK OF ELECTRIC SHOCK
DO NOT OPEN
AVERTISSEMENT
RISQUE DE CHOC ELECTRIQUE
NE PAS OUVRIR

⚠ **CAUTION**
MOVING PARTS
KEEP BODY PARTS AWAY FROM
MOVING PARTS
ATTENTION
PARTIES MOBILES
SE TENIR À L'ÉCART DES PARTIES
MOBILES

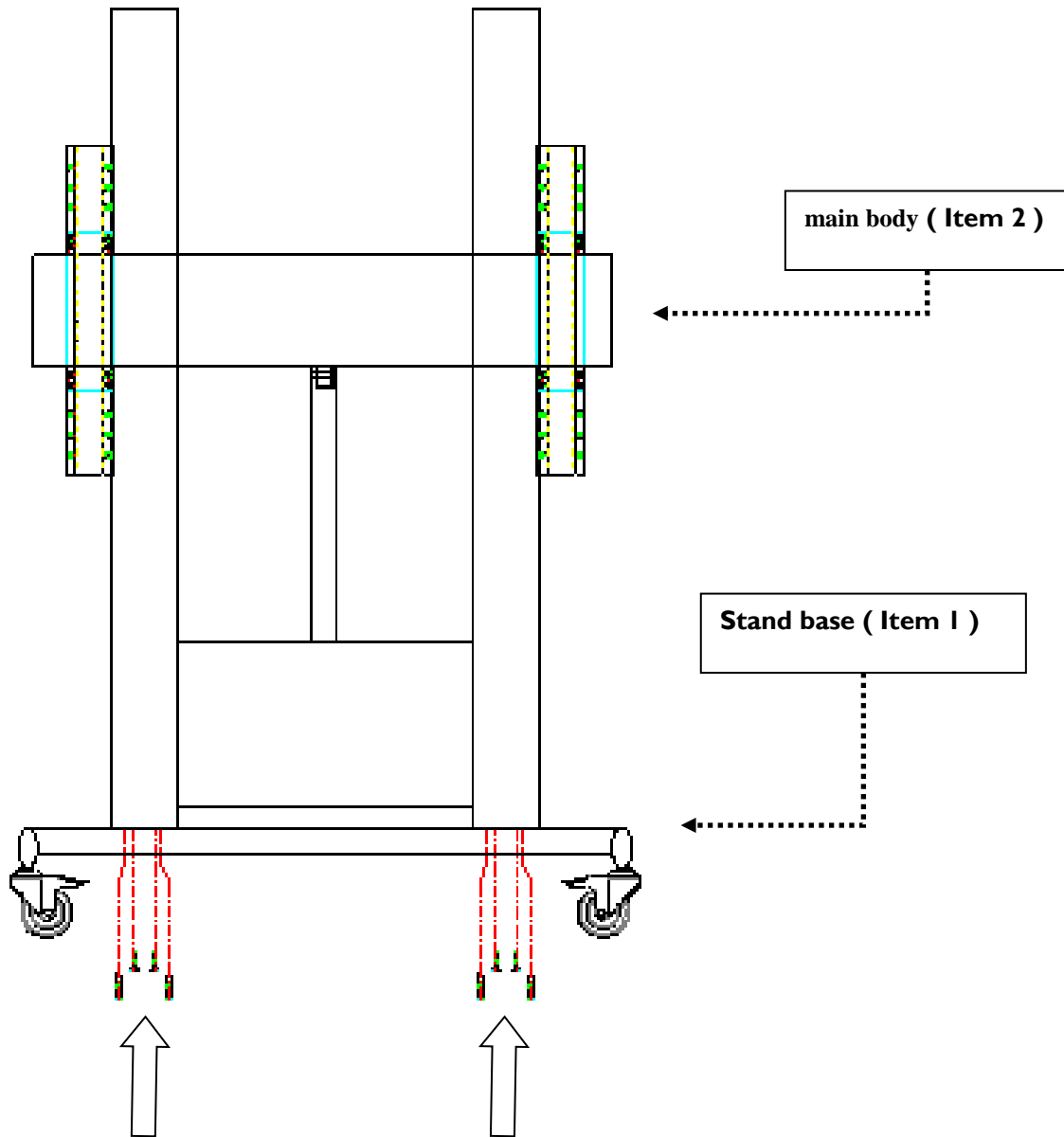
Checklist

Item	Photo	Qty	Description	Item	Photo	Qty	Description
1		1	Stand base	2		1	The main body
3						1	Left panel mounting assembly
4						1	Right panel mounting assembly

5		2	Beam reinforce plate	6		10	Cable cover
7		8	Socket head cap screw - M8X40	8		32	Screw-M4x15
9		16	Hexagon socket head screw M6X20	10		1	Hex key -#6

Step1. Install the main body to the stand base.

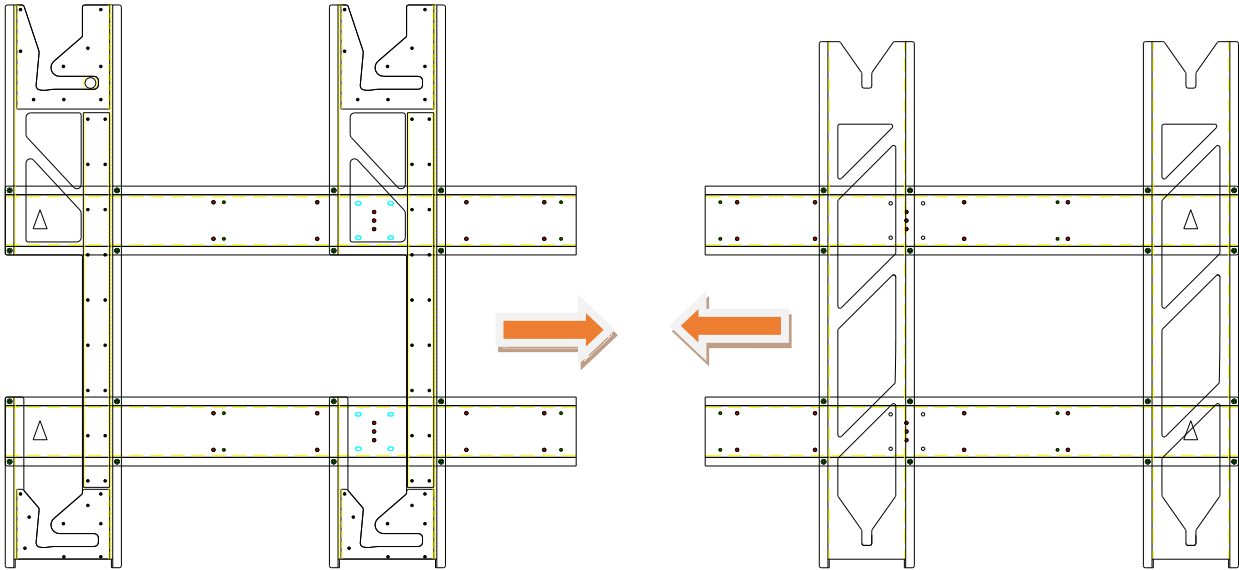
Front View



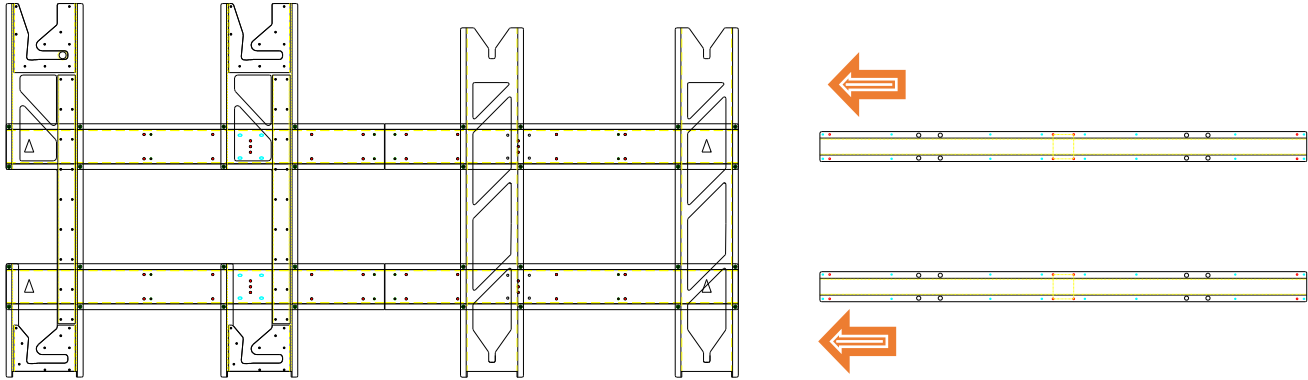
Use 8pcs M8X40 hexagon socket head cap screws (item 7) to install the stand base .

Step2. Install the panel mounting plate.

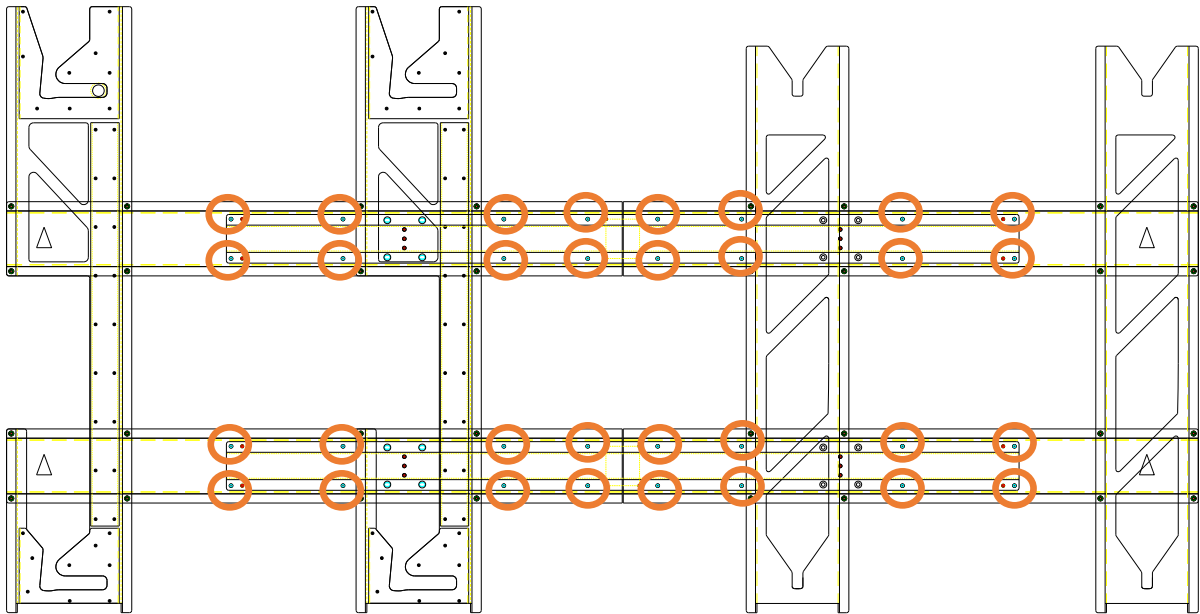
Front View



Put the left (item 3) and right (item 4) halves together.



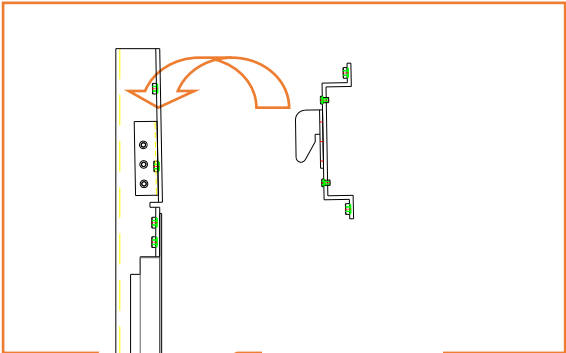
Insert the beam reinforce plate(item 5) to fixing the screw hole position.



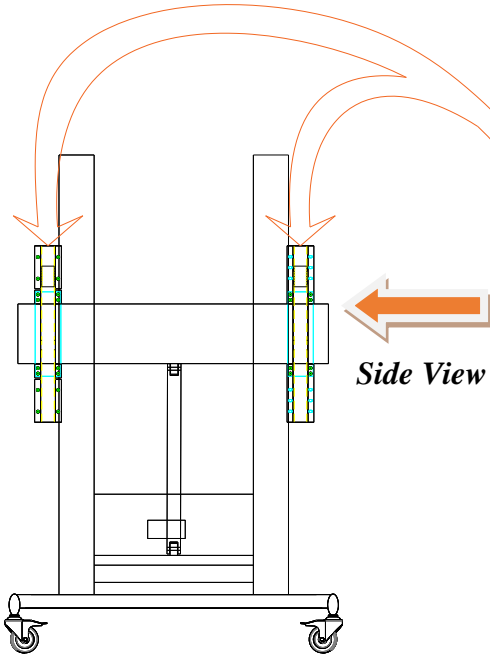
Tighten the beam reinforce plate with 32-M4x15 screw (item 8) as the red circle marked.

Step3. Install the panel mounting plate to the main body.

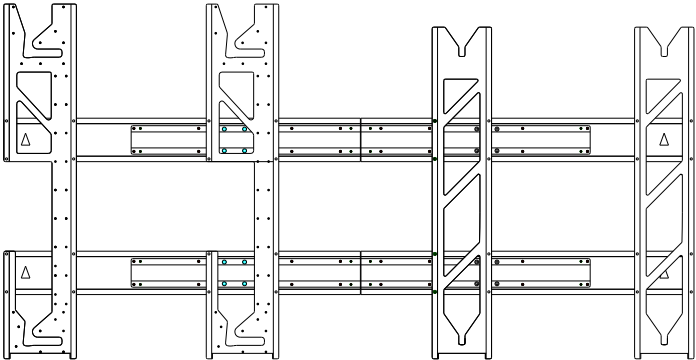
Front View



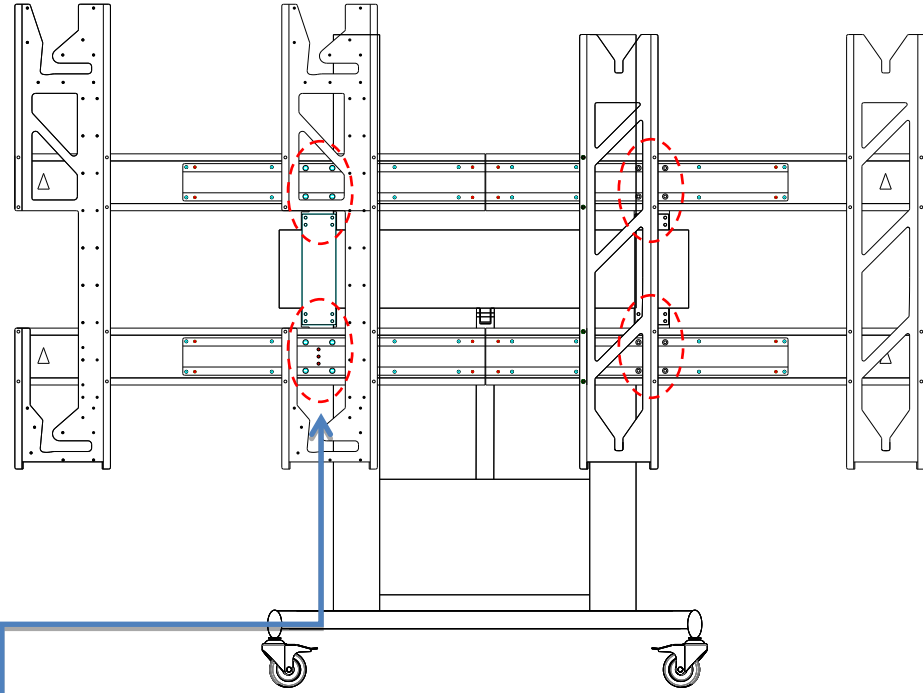
Side View



Side View

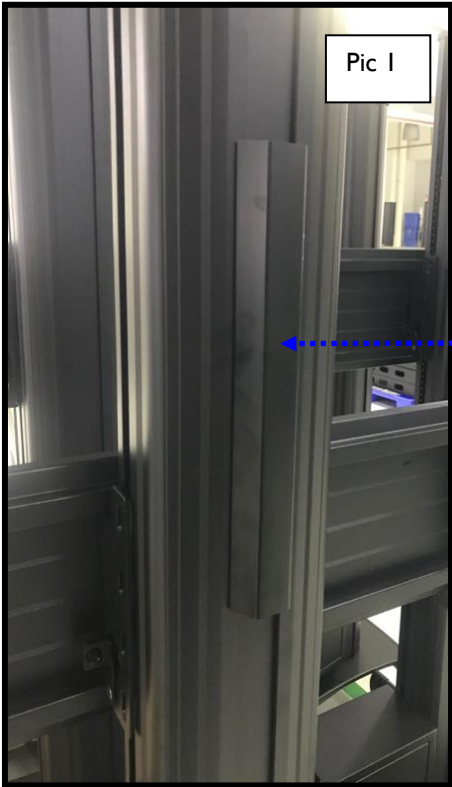


Hang the assembled back frame to the corresponding buckle points of the stand.



Install the panel mounting plate to the main body ,Use 16pcs M6x20 screw (Item9)

Step4. Lifting cable routing.



If you would like to hide the lifting cable. Please install the cover as Pic 1 and 2.

Cable cover (Item 6)





Pic 2

The cable can be hidden under this cover.

Packaging

NOTE: The pictures are schematic diagrams. Everything is subject to the infact products.

