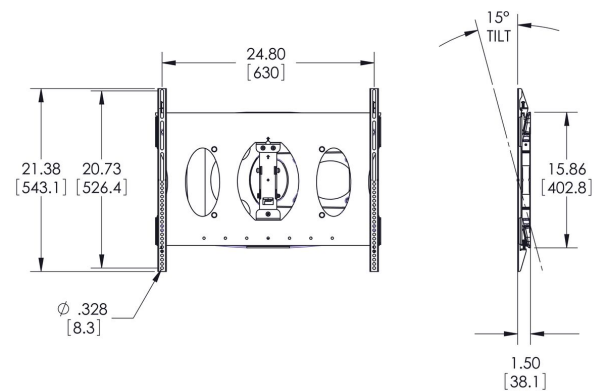
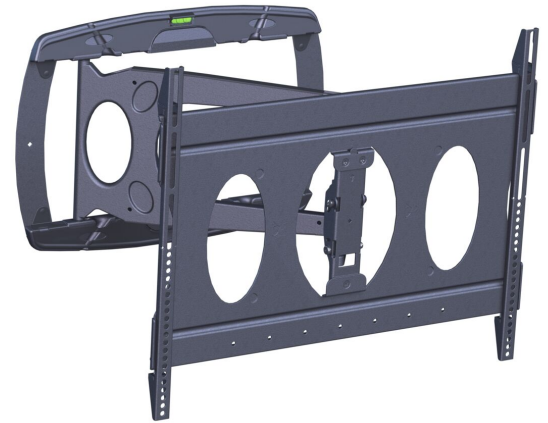




## PFW 6850 Display Wall Mount turn & tilt

The PFW 6850 is an ultra slim wall mount for displays up to 40kg / 88 lbs. that provides two options for the swing arm placement, allowing the mount to swing out from the left or right, based on the installation requirements.





## PFW 6850 Display Wall Mount turn & tilt

# Specifications

Article number (SKU)	7368500
Colour	Black
EAN single box	8712285323362
Product size	M
TÜV certified	Yes
Tilt	Tilt up to 15°
Turn	Up to 180°
Guarantee	5 years
Min. screen size (inch)	42
Max. screen size (inch)	65
Max. weight load (kg/Lbs)	40 / 88.18
Min. hole pattern	100mm x 100mm
Max. hole pattern	630mm x 526mm
Max. height of interface (mm)	543
Max. width of interface (mm)	668
Levelling function	Post-installation horizontal levelling
Lock options	No lock
Max. distance to the wall (mm / inch)	749 / 29.49
Max. horizontal hole pattern (mm)	630
Max. screen size (inch)	65
Max. vertical hole pattern (mm)	526
Min. distance to the wall (mm / inch)	38 / 1.50
Min. screen size (inch)	42
Number of pivot points	3
Orientation	Landscape
Universal or fixed hole pattern	Universal

VOGEL'S HOLDING BV (©)

All rights reserved.  
Subject to printing errors,  
technical and price  
amendments.

Date: 2023-01-28



**Vogel's.** For Sure.