

Initial Briefing



ECOSYS P3145dn



ECOSYS P3150dn
ECOSYS P3155dn

ECOSYS P3145dn, P3150dn and 3155dn

Target Launch	July 2019
Product Importance	High
Channel	Web, Catalogue, IT-Dealer and E-commerce
Product Manager	Peter Dresser

Overview

In July 2019 the P30xx Series of high-performance mono printers will be replaced with the P31xx Series. The P31xx Series has been updated with enhanced environmental credentials, advanced security and a bright new look to match the KYOCERA M31xx Series range of Multifunction Printers. There are three new models in the printer range, the P3145dn, P3150dn and P3155dn delivering print speeds of 45, 50 and 55ppm respectively. Each model has enhanced power management reducing power consumption in "Sleep Mode" to just 0.5 Watts to deliver improved TEC (Typical Electricity Consumption) values. A 5-line back light LCD display with alphanumeric keypad make secure printing easy. For maximum security all optional Hard Disk drives are now supplied free of charge with KYOCERA's Data Security Kit (DSK [E]) to enable full data encryption and overwrite deletion.

All models boast 1200x 1200dpi print quality a powerful 1.2GHz Dual Core processor, large 512MB RAM memory and impressive duty cycles to power through large print jobs with the utmost reliability. Automatic double-sided printing is standard and a large 600 sheet paper capacity expandable to 2,600 sheets from six different paper sources delivers unrivalled media flexibility in this class of product. The P31xx Series can now print Banners up to 915mm long.

The P31xx Series are very compact making them easy to accommodate on the desktop and with Gigabit networking as standard they are perfect for large and busy workgroups.

KYOCERA's long life image drum technology combined with large starter toners and high capacity replacement toners mean the P31xx Series leads the way with very low running costs. With drum units lasting up to 500,000 pages (300,000 on the P3145dn) most customer will only ever replace toner units during the life of the machine, greatly reducing waste and environmental impact. Environmental impact is further reduced using very ecological, pulp material packaging.

In September the P3060dn, 60ppm model will be replaced by the P3260dn to complete the range of products. More information to follow soon.

Internal Positioning

The current P30xx Series will be replaced by the P31xx Series as follow:



Target Users

The P31xx Series is designed for the more demanding user who is looking for great value for money mono printing from machines with high print speeds, low running costs and unrivalled reliability. But more they want versatility, security and low environmental impact from a long-term partner that takes sustainability and social, corporate responsibility seriously.

Ideal for large and busy workgroups typical customers will be schools, health care trusts, general businesses and large corporates. The new P31xx Series are very powerful standalone devices or perfect for deployment within a fleet or as part of a managed service contract.

Features at a Glance

Areas highlighted in **GREEN** show enhancements over previous models.

Description	P3045dn	P3050dn	P3055dn
Print Speed A4	45ppm	50ppm	55ppm
Print Speed A5	-/43ppm	50/48ppm	55/53ppm
Time to first page	5.9 sec or less	6.2 sec or less	4.9 sec or less
Input Capacity	Standard 600 sheets, Max 2600 sheets		
Banner Printing	-	-	-
Memory (RAM)	Standard 512 MB RAM, Max 2560MB RAM		
HD (Hard Drive)	HD-6 (SSD 32GB), HD-7 (SSD 128GB)		
Data Security Kit	Optional (Chargeable)		
Power consumption			
Printing	594 W	636 W	675 W
Ready Mode	10 W	11 W	11 W
Sleep Mode	0.9 W	0.9 W	0.9 W
TEC Values (Energy Star 2.0)	2.16kWh	2.41kWh	2.75kWh
Noise (Sound pressure level : ISO 9296)			
Printing	52.8 dB(A)	53.2 dB(A)	54.7 dB(A)
Quiet Mode	51.5 dB(A)	50.8 dB(A)	50.4 dB(A)
Ready mode	27.1dB(A)	26.9 dB(A)	27.1 dB(A)
Sleep Mode	Immeasurably Low		
Consumables			
Starter Toner	6k	8k	10k
Standard Toner	12.5k	15.5k	25k
Drum life	300k	500k	500k

P3145dn	P3150dn	P3155dn
45ppm	50ppm	55ppm
-/62ppm	74/70ppm	82/78ppm
5.3 sec or less	5.4 Sec or less	4.5 sec or less
Standard 600 sheets, Max 2600 sheets		
915mm	915mm	915mm
Standard 512 MB RAM, Max 2560MB RAM		
HD-6 (SSD 32GB), HD-7 (SSD 128GB)		
Free as standard		
Power consumption		
594 W	636 W	675 W
10 W	11 W	11 W
0.5 W	0.5 W	0.5 W
2.06kWh	2.39kWh	2.74kWh
Noise (Sound pressure level : ISO 9296)		
53.7 dB(A)	55 dB(A)	56 dB(A)
50 dB(A)	50 dB(A)	51 dB(A)
30 dB(A)	30 dB(A)	30 dB(A)
Immeasurably Low		
Consumables		
6k	8k	10k
12.5k	15.5k	25k
300k	500k	500k

Why KYOCERA

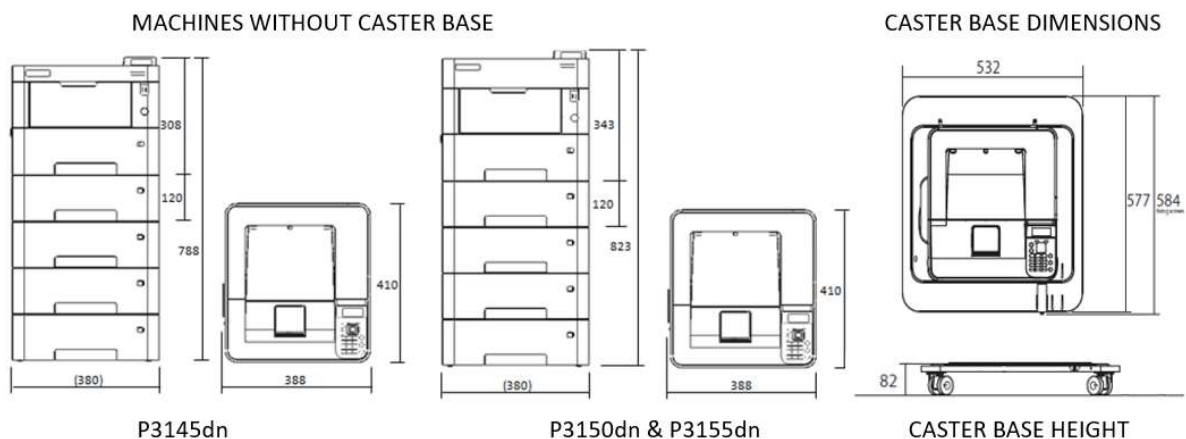
Continually striving for excellence in both products and service KYOCERA's award-winning ECOSYS printers and MFP's deliver superior performance, superb image quality and best-in-class reliability. Whether looking for brilliant colour or crisp Black and White printing, KYOCERA's long-life image drum components dramatically lower running costs, waste and environmental impact. Buy from KYOCERA and you buy from a company that takes its Corporate and Social Responsibility seriously, services its products with its own engineers and wants to be your partner not just your supplier.

Why ECOSYS P31xx Series

Perfect for the most demanding user or large workgroups the compact P31xx Series put high productivity black and white printing on the desktop.

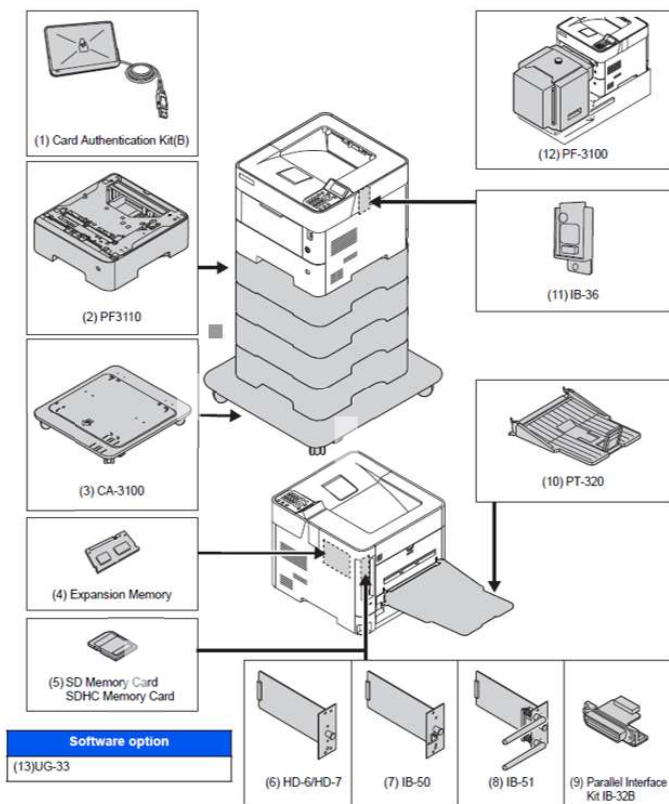
Features	Advantages	Benefits	Target Customers
High print speeds (up to 55ppm) and impressive duty cycles (up to 250k pages per month max, 5k pages per month Average). Large standard paper capacity expandable to 2,600 pages from six different paper sources.	Delivers large documents fast. Powers through large print volumes from one or multiple users.	Large print runs can be delivered to tight deadlines. Delivers large documents fast and can handle heavy workloads from multiple users.	Public sector customers including NHS trusts, Police forces and government departments. Perfect for small, large and corporate businesses for printing invoices, PO's, reports and general office printing.
Powerful 1.2GHz Dual Core processor, large 512MB RAM memory and a fast time to first print (as low as 4.5secs)	Delivers single page documents fast and can processes large/complex documents with ease.	Improves productivity by increasing single and small document throughput.	Perfect for hotel's, builder's merchants and warehouse applications where on demand printing of 1 to 3-page documents is required to maintain a fast throughput of customers/goods.
Compact size compared to similar class products on the market.	Saves space	Puts high performance mono printing on the desktop, easy to incorporate into reception desk furniture.	
Gigabit networking plus a wide range of interface options including Wireless.	Can be shared across a high a speed network and with wireless & NIC options can be shared by different networks.	Makes sharing with guests and across the network, easy.	Any business with medium to large workgroups of 100 plus users.
KYOCERA's long-life image drum technology delivers a toner only concept for the vast majority of users.	Greatly reduces running costs and waste for high print volume users.	Delivers the lowest running cost and lowest TCO for this class of product.	Total Cost of Ownership is important to all customers big and small.

Product Dimensions



Options and Compatibility

All toners and most options are fully backwards compatible with the P30xx Series they are replacing. Cabinets are current and used in the M31xx Series. New Options highlighted in **GREEN**.



Memory Options		
Description	Type	SAP Number
1 GB Memory Expansion	MD3-1024	870LM00099
2 GB Memory 144 PIN	MDDR3-2GB	870LM00098
SD Memory Card (32GB, Class 10)	Local Purchase	Local Purchase
32GB SSD hard disc	HD-6	1505J40UN0
128GB SSD hard disc	HD-7	1505J80UN0

Paper Feed and Cabinet Options		
Description	Type	SAP Number
Paper Feeder (500 sheets) (P31xx/M31xx Series, White)	PF-3110	1203SA0KLO
Bulk Paper Feeder (2,000 sheet) 60-220 gsm, PB-325 required. (Note: Cannot be used with additional paper feeders fitted)	PF-3100	1203S30KLO
Printer Base for PF-3100	PB-325	1903N10UN0
Face-up paper output tray 250 sheets (P3150dn/P3155dn only)	PT-320	1203N70UN0
High Wooden Cabinet White (380x 410 x 510mm)	CB-360W	870LD00123
Low Wooden Cabinet White (380 x 410 x 250mm)	CB-365W	870LD00124
Caster Kit (NEW for the P31xx Series). Note: Can also be used on M31xx Series	CA-3100	1903T50UN0

Interface and Other Options		
Description	Type	SAP Number
Various USB Card authentication readers incl. "Card Authentication Kit (B) AC" below	USB Card Readers	Local Purchase
Card Authentication Kit (Registration Key)	Card Authentication Kit (B) AC	870LSHW004
ThinPrint support (virtual item)	UG-33 AC	870LSHW005
Network Card, Giga bit Ethernet	IB-50	1505JV0UN0
Wireless LAN (802.11b/g/n)	IB-51	1505J50UN0
Parallel IEEE1284 Interface kit	IB-32B	1503N50UN1
Wireless LAN (802.11b/g/n) with Wi-Fi Direct	IB-36	1503S50UN0

Consumables and Compatibility

All consumables (toners) are fully backwards compatible with the P30xx Series they are replacing. Maintenance Kits are current and used in the M31xx Series, life is the same while cost is lower resulting in lower running costs for high volume users.

P3145dn, P3150dn and P3155dn	
Description	SAP Number
ECOSYS P3145dn	1102TT3NL0
ECOSYS P3150dn	1102TS3NL0
ECOSYS P3155dn	1102TR3NL0

P3145dn, P3150dn and P3155dn			
Description	Type	Life (Pages)	SAP Number
Toner Black	TK-3160	12,500	1T02T90NL1
Toner Black	TK-3170	15,500	1T02T80NL1
Toner Black	TK-3190	25,000	1T02T60NL1
Maintenance Kit	MK-3260	300,000	1702TG8NL0
Maintenance Kit	MK-3300	500,000	1702TA8NL0