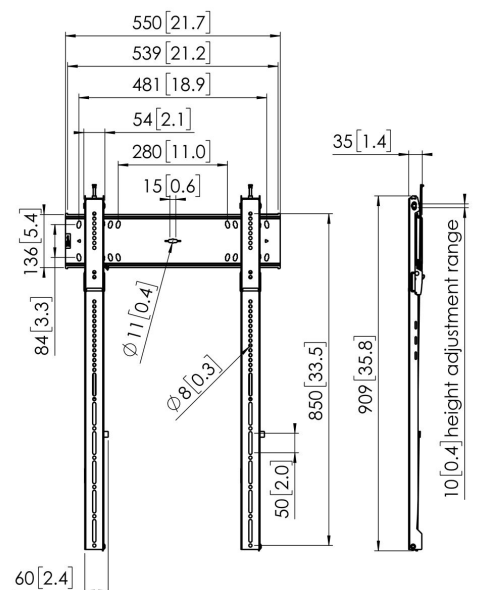


## PFW 6815 Display Wall Mount portrait fixed

The PFW 6815 is a sturdy and at the same time elegant fixed wall mount for portrait mounting. It features an aesthetically integrated lock whilst maintaining a depth of only 35 mm. The mount can hold displays from 43 to 100 inch, weighing up to 100 kg





## PFW 6815 Display Wall Mount portrait fixed

# Specifications

Article number (SKU)	7368150
Colour	Black
EAN single box	8712285334207
Product size	XL
TÜV certified	Yes
Guarantee	5 years
Min. screen size (inch)	46
Max. screen size (inch)	100
Max. weight load (kg/Lbs)	100 / 220.46
Min. hole pattern	75mm x 75mm
Max. hole pattern	400mm x 800mm
Max. bolt size	M8
Max. height of interface (mm)	906
Max. width of interface (mm)	550
Fischer inside	Yes
Levelling function	Post-installation horizontal levelling
Lock options	Lock included / integrated
Max. distance to the wall (mm)	35
Max. horizontal hole pattern (mm)	400
Max. screen size (inch)	100
Max. vertical hole pattern (mm)	800
Min. horizontal hole pattern (mm)	75
Min. screen size (inch)	46
Min. vertical hole pattern (mm)	75
Orientation	Portrait
Service position	Yes
Universal or fixed hole pattern	Universal

VOGEL'S HOLDING BV (©)

All rights reserved.  
Subject to printing errors,  
technical and price  
amendments.

Date: 2022-08-17



**Vogel's. For Sure.**