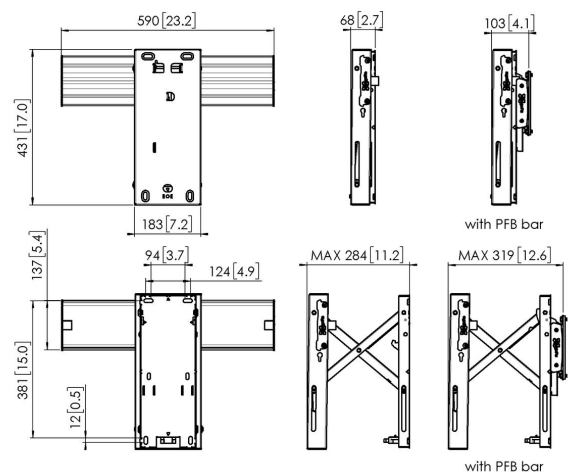


PFW 6706 Video Wall Pop-out Module

Key Benefits

- Easy install
- Connect-it compatible, including accessories
- Modular

PFW 6706 Push-in Pop-out Video Wall Mount PFW 6706 is a video wall mount which features a push-in, pop-out functionality for displays weighing up to 45 kg / 99 lbs, with a mounting pattern of 200 x 200 to 600 x 800 mm. The PFW 6706 is part of the Connect-it Series and is engineered to make video wall installations as quick as simple as possible. This modular video wall mount can be used to create unlimited video wall configurations in both landscape and portrait format.





PFW 6706 Video Wall Pop-out Module

Specifications

Article number (SKU)	7267060
Colour	Black
EAN single box	8712285345029
Height	431
Width	590
Depth	68
TÜV certified	Yes
Guarantee	5 years
Min. screen size (inch)	37
Max. screen size (inch)	65
Max. weight load (kg)	45
Max. bolt size	M8
Cable management	Cable clip
Max. distance to the wall (mm)	283
Max. horizontal hole pattern (mm)	600
Max. screen size (inch)	65
Max. vertical hole pattern (mm)	800
Min. distance to the wall (mm)	67
Min. horizontal hole pattern (mm)	200
Min. screen size (inch)	37
Min. vertical hole pattern (mm)	200
Orientation	Landscape / Portrait

VOGEL'S HOLDING BV (©)

All rights reserved.
Subject to printing errors,
technical and price
amendments.

Date: 2022-06-02



Vogel's. For Sure.